

INSTRUCTIONS FOR INSTALLATION AC-2499 STUDEBAKER SAFETY WINDSHIELD ON CHAMPION AND COMMANDER C

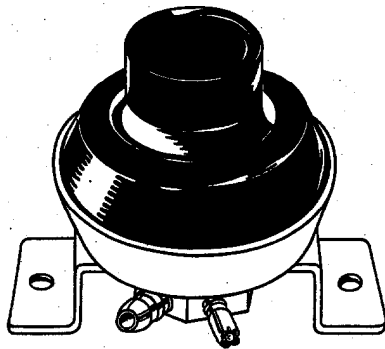


FIG. 1

1. Locate template on inside of dash as shown in Figure 4 and drill two 9/64 diameter holes in the proper location as shown for the various models. Mount pump with nipples on top. Use the two long screws to fasten pump to dash.
2. Mount flexible water bag support bracket on battery hold-down clamp stud. On C & K coupe and hardtop models the bag must be mounted on the front stud. On models W, F, Y and D sedan, land cruiser and station wagon the bag can be mounted either front or rear of the battery except on Commanders with power steering, in which case it should be on the rear stud. Caution. In mounting the bag be sure that any clips under the bag are washed down so no sharp projections will pierce the bag.
3. Install nozzle on cowl top as shown in Figure 3. Locate hole center as shown for the car model and drill 5/16" diameter hole exactly on center of cowl top.
Assemble rubber washer and retainer on nozzle stem and screw into cowl top as shown with the two outlets towards the windshield.
4. Tube connections.—Feed the large tube through the flexible jar cap, leaving just enough tube inside the jar

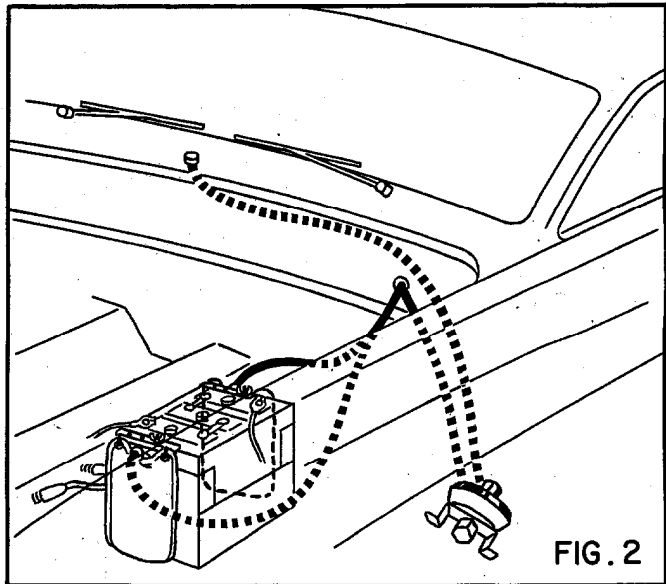


FIG. 2

to allow the screen to clear bottom of flexible jar. Use a drift punch and punch a hole through the dash at location shown in Figure 4 or 5 (depending on car model) just large enough to allow the tube to be pulled through. Cut tube to proper length and connect to large nipple on pump. Connect small tube to nozzle and small nipple on pump. Dress the small tube over the chassis cables so it will not loop or sag down.

5. Fill water bag and adjust the nozzle outlets.

Prime the pump by depressing several strokes. Insert the aiming pin furnished into eye-ball in the nozzle outlet and adjust the two streams to strike the windshield halfway up the glass and slightly inside a line directly above the wiper arm pivot.

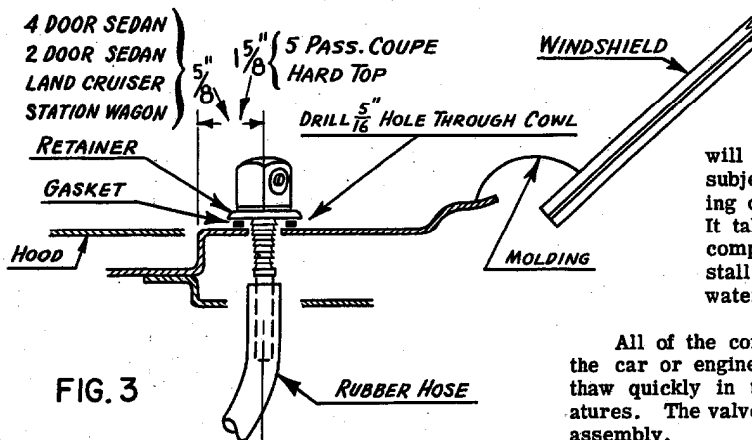


FIG. 3

SPECIAL FEATURES

The modern flexible plastic jar will give long service. It is not subject to breakage either by freezing or accident. It will not rattle. It takes up less space in the engine compartment, and is easier to install. The transparent stripe makes water level easy to see.

All of the components of this unit are inside the car or engine compartment where they will thaw quickly in the event of freezing temperatures. The valves are incorporated in the pump assembly.

THE STUDEBAKER CORPORATION
PARTS AND ACCESSORIES DIVISION
SOUTH BEND 27, INDIANA AND BRANCHES

US
AI

INSTALLING SAFETY WINDSHIELD WASHER MOUNTING PLATE

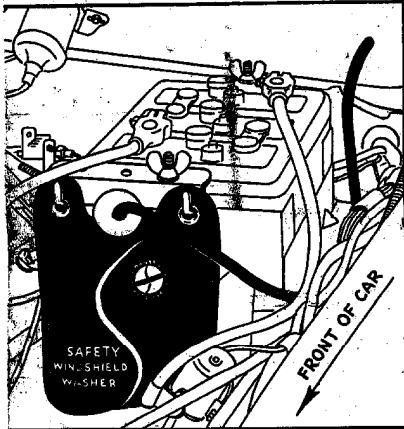


FIG. 4

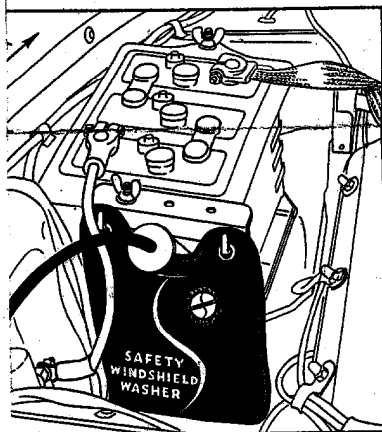
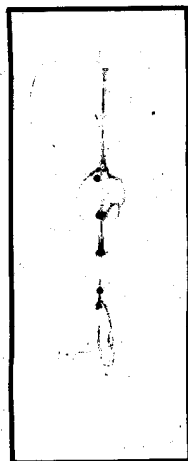


FIG. 5

USE THIS
MOUNTING
PIN



1953-54 SEDANS, LAND CRUISERS
AND STATION WAGONS

W-F-Y-D

DRILL TWO HOLES $\frac{9}{64}$ " DIA.

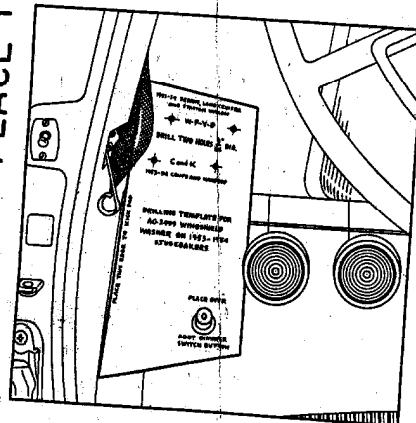
C and K

1953-54 COUPE AND HARDTOP

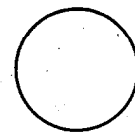
DRILLING TEMPLATE FOR
AC-2499 WINDSHIELD
WASHER ON 1953-1954
STUDEBAKERS

FIG. 6

PLACE THIS EDGE TO KICK PAD



PLACE OVER



FOOT DIMMER
SWITCH BUTTON